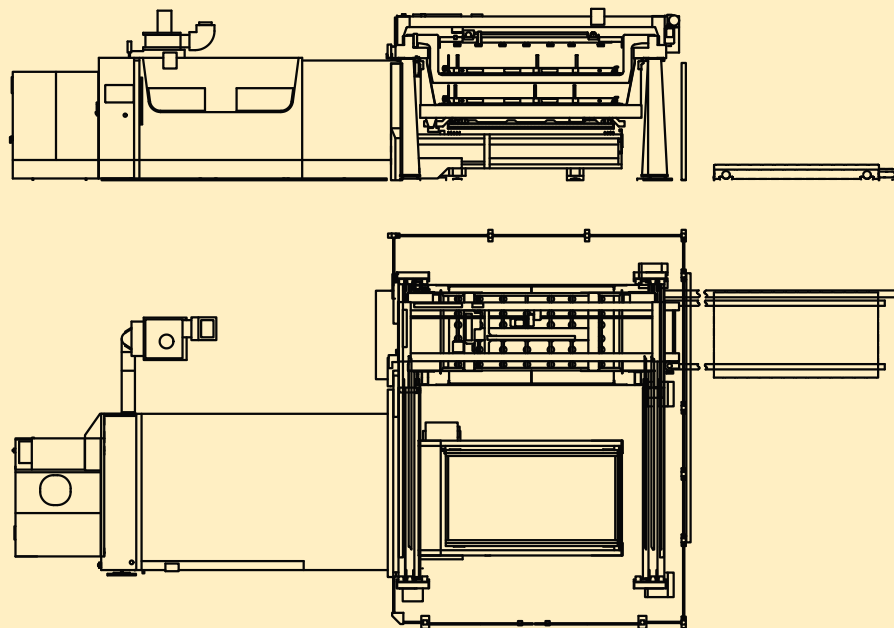


Technical Data

ByTrans Cross

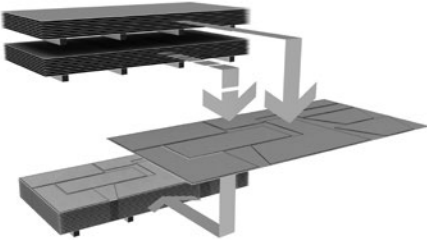
Dimensions according to assembly plan



Usage variants

ByTrans Cross

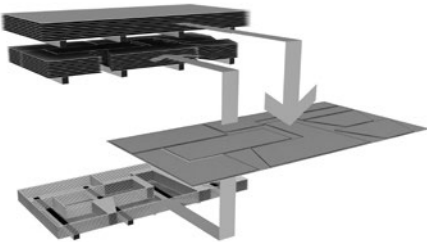
Two cassettes for raw material



Cassettes 1 and 2: raw material

Storage: cut sheets

Large parts and sheet skeletons separated

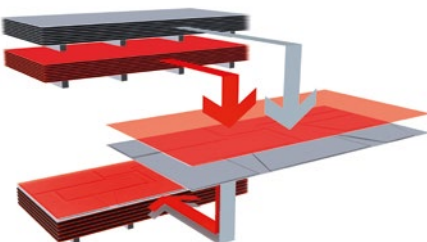


Cassette 1: raw material

Cassette 2: large parts storage

Storage: scrap

Cut sheets with plastic sheet separators



Cassette 1: raw material

Cassette 2: intermediate storage

Storage: cut sheets with plastic sheet separators

Bystronic: Best choice.

Complete system	ByTrans Cross 3015	ByTrans Cross 4020	
Nominal sheet size	3000 × 1500	4000 × 2000	mm
Maximum sheet metal size	3048 × 1524	4064 × 2080	mm
Sheet metal sizes	variable	variable	mm
Loading carriages	2	2	
Sheet metal thickness (loading and unloading)	0.8 to 25	0.8 to 20	mm
Maximum sheet weight	980	1340	kg
Raw material, stacking height (incl. pallet)	max. 240	max. 240	mm
Maximum raw material stacking weight on pallet	3000	3000	kg
Maximum raw material stacking weight in cassette	3000	**3000	kg
Cut sheets, stacking height (incl. pallet)	max. 350	max. 350	mm
Material	Construction steel Stainless steel Aluminum	Construction steel Stainless steel Aluminum	
Loading	with forklift truck or overhead crane		
Unloading	with forklift truck		
Standard cycle time*	60/64/70/78	84/98	s
Cycle time with large part removal*	143/153	195/204	s
Cycle time with insertion of protective material*	160/169	204	s
Operation	Via touch screen of the operating terminal of the laser cutting system		
Module weight (net)	7000	11 000	kg
Maximum electrical consumption ByTrans Cross (supplied via cabinet of the laser cutting system)	7,6	8	kW
Compressed air consumption	max. 10	max. 10	m ³ /h

* One cycle definition: The ByTrans Cross and the machine are in the automatic mode of >2 short cutting plans (<20s) with thin sheet metal and enabled sheet thickness measurement/sheet separation (3x).

- Cycle start is the release of the shuttle table before the removal of the cut sheet/parts.
- Cycle stop is the release ByTrans Cross to the machine after loading the raw material sheet.

Remark: Cycle time also depends on the loading/unloading position

** more stacking weight on request.

The right to make changes to dimensions, construction, and equipment is reserved. ISO-9001-certified.

Bystronic: Best choice.

Cutting | Bending | Automation
bystronic.com