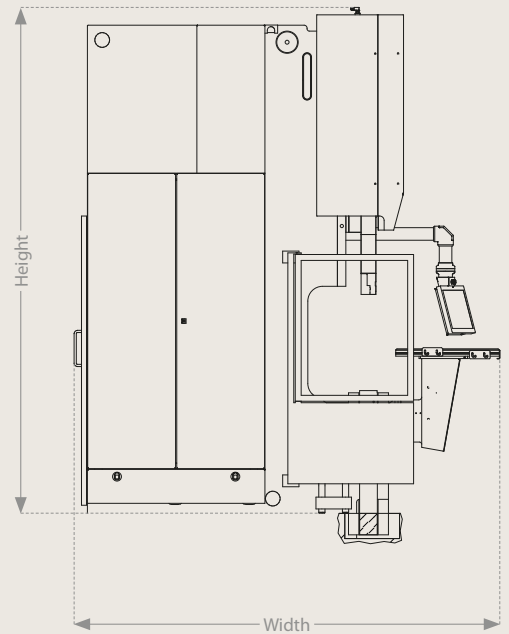
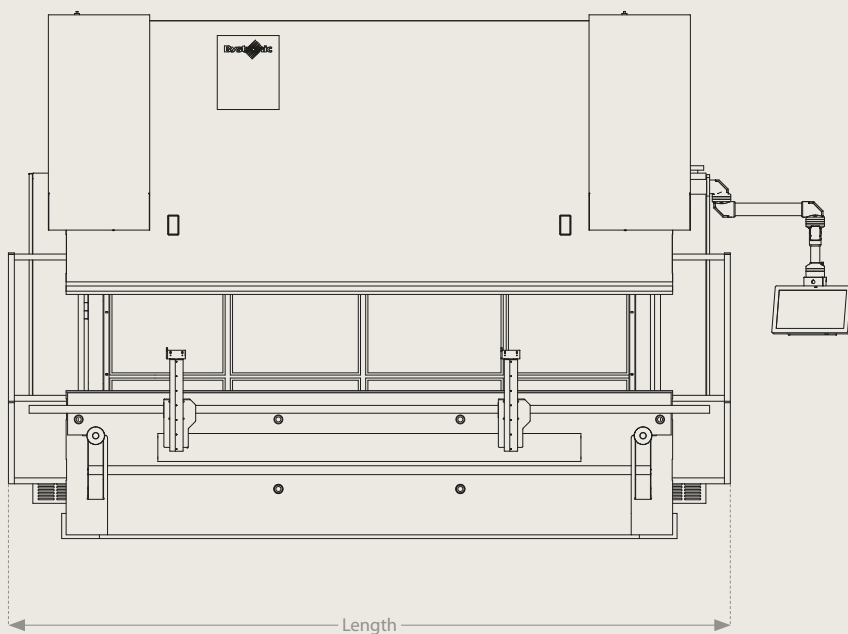


Technical Data

Xpert 250–400

	Xpert 250/5100	Xpert 250/6200	Xpert 320/5100	Xpert 320/6200	Xpert 320/7200	Xpert 400/3100	
Length	5880	6880	5880	6880	7880	3880	mm
Width	2185	2185	2200	2200	2200	2200	mm
Height	3455	3580	3380	3480	3680	3230	mm

	Xpert 400/4100	Xpert 400/5100	Xpert 400/6200	Xpert 400/7200	Xpert 400/8200	
Length	4880	5880	6880	7880	8880	mm
Width	2200	2200	2200	2200	2200	mm
Height	3230	3380	3380	3580	3780	mm



Type	Xpert 250/5100	Xpert 250/6200	Xpert 320/5100	Xpert 320/6200	Xpert 320/7200	Xpert 400/3100	
Tonnage	2500	2500	3200	3200	3200	4000	kN
Bending length	5100	6200	5100	6200	7200	3100	mm
Standard stroke	265	265	265	265	265	265	mm
Open height	550	550	550	550	550	550	mm
Distance between the side stands	4600	5100	4600	5100	6100	2600	mm
Throat	400	400	400	400	400	400	mm
Table width	60	60	60	60	60	60	mm
Max. backgauge range in X (2/4/5 axes)	1100	1100	1100	1100	1100	1100	mm
X-axis travel (2/4/5 axes)	700	700	700	700	700	700	mm
X-axis speed (2/4/5 axes)	500	500	500	500	500	500	mm/s
X-axis accuracy (2/4/5 axes)	0,02	0,02	0,02	0,02	0,02	0,02	mm
R-axis travel (2/4/5 axes)	250	250	250	250	250	250	mm
R-axis speed (2/4/5 axes)	150	150	150	150	150	150	mm/s
R-axis accuracy (2/4/5 axes)	0,1	0,1	0,1	0,1	0,1	0,1	mm
Z-axis travel	3900	4400	3700	4400	5400	1900	mm
Z-axis speed (4/5 axes)	1000	1000	1000	1000	1000	1000	mm/s
Z-axis accuracy (4/5 axes)	0,1	0,1	0,1	0,1	0,1	0,1	mm
Max. Y-rapid traverse	130	130	130	130	130	120	mm/s
Max. Y-working speed	1–10	1–10	1–10	1–10	1–10	1–10	mm/s
Y-return speed	115	115	130	130	130	100	mm/s
Y-axis accuracy	0,01	0,01	0,01	0,01	0,01	0,01	mm
Oil capacity	600	650	600	650	700	550	l
Main motor power	22	22	30	30	30	30	kW
Weight	26	30	29	36	43	26	t
Side frame underfloor	0	0	0	0	0	0	mm
Lower beam underfloor	200	250	170	430	530	0	mm

The right to make changes to dimensions, construction, and equipment is reserved. ISO-9001-certified.

Type	Xpert 400/4100	Xpert 400/5100	Xpert 400/6200	Xpert 400/7200	Xpert 400/8200	
Tonnage	4000	4000	4000	4000	4000	kN
Bending length	4100	5100	6200	7200	8200	mm
Standard stroke	265	265	265	265	265	mm
Open height	550	550	550	550	550	mm
Distance between the side stands	3600	4600	5100	6100	7100	mm
Throat	400	400	400	400	400	mm
Table width	60	60	60	60	60	mm
Max. backgauge range in X (2/4/5 axes)	1100	1100	1100	1100	1100	mm
X-axis travel (2/4/5 axes)	700	700	700	700	700	mm
X-axis speed (2/4/5 axes)	500	500	500	500	500	mm/s
X-axis accuracy (2/4/5 axes)	0,02	0,02	0,02	0,02	0,02	mm
R-axis travel (2/4/5 axes)	250	250	250	250	250	mm
R-axis speed (2/4/5 axes)	150	150	150	150	150	mm/s
R-axis accuracy (2/4/5 axes)	0,1	0,1	0,1	0,1	0,1	mm
Z-axis travel	2900	3700	4400	5400	6400	mm
Z-axis speed (4/5 axes)	1000	1000	1000	1000	1000	mm/s
Z-axis accuracy (4/5 axes)	0,1	0,1	0,1	0,1	0,1	mm
Max. Y-rapid traverse	120	120	120	120	120	mm/s
Max. Y-working speed	1–10	1–10	1–10	1–10	1–10	mm/s
Y-return speed	100	100	100	100	100	mm/s
Y-axis accuracy	0,01	0,01	0,01	0,01	0,01	mm
Oil capacity	600	600	650	700	1000	l
Main motor power	30	30	30	30	30	kW
Weight	27	35	43	50	61	t
Side frame underfloor	0	0	0	0	0	mm
Lower beam underfloor	170	550	600	700	900	mm

The right to make changes to dimensions, construction, and equipment is reserved. ISO-9001-certified.

Bystronic: Best choice.

Cutting | Bending | Automation
bystronic.com